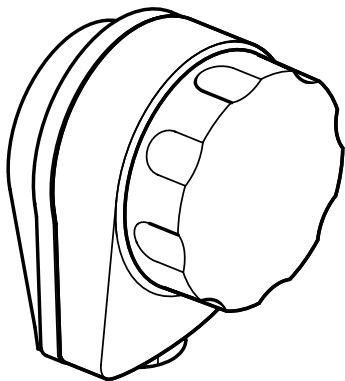


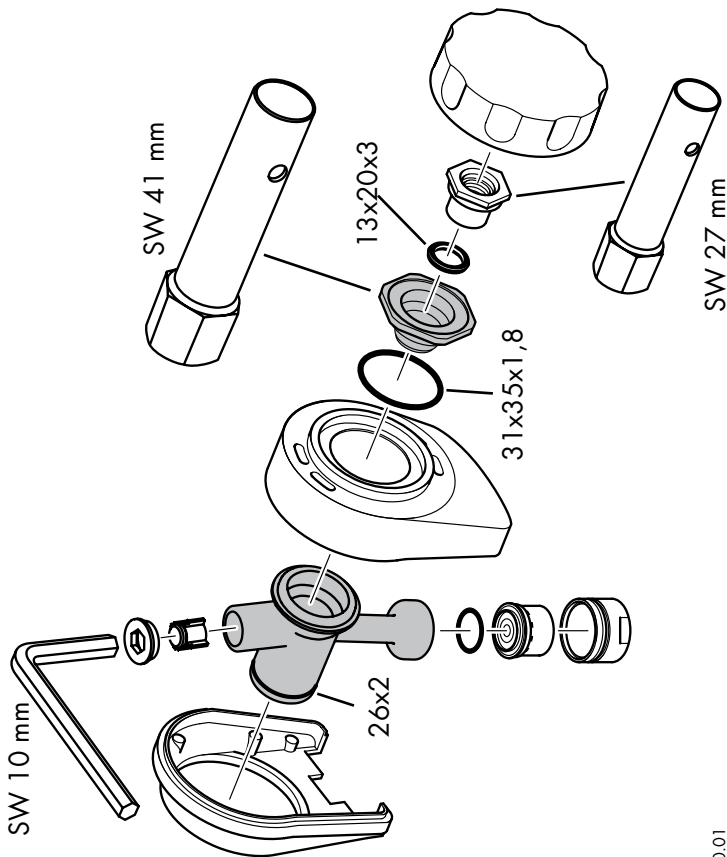
Service



Excentra Fill

96527XXX/97697XXX/97698XXX/95091000

hansgrohe



hansgrohe