

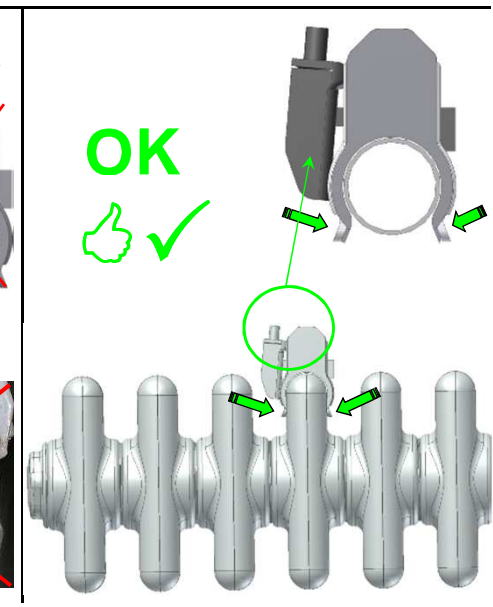
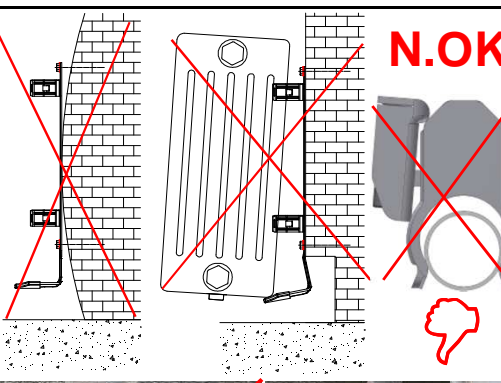
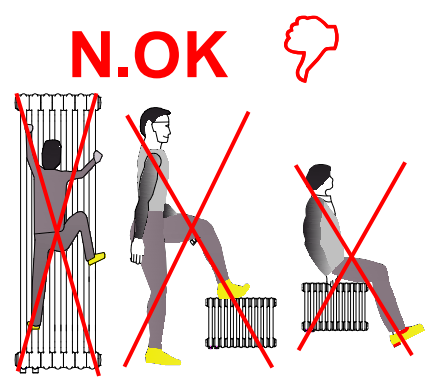
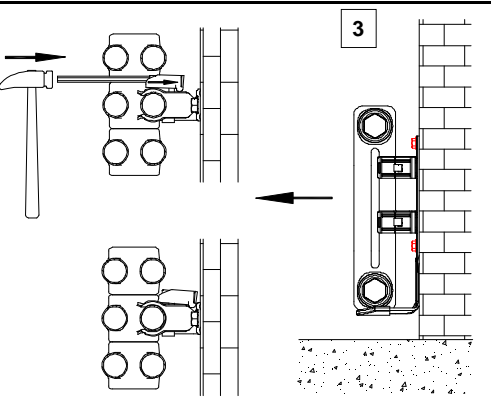
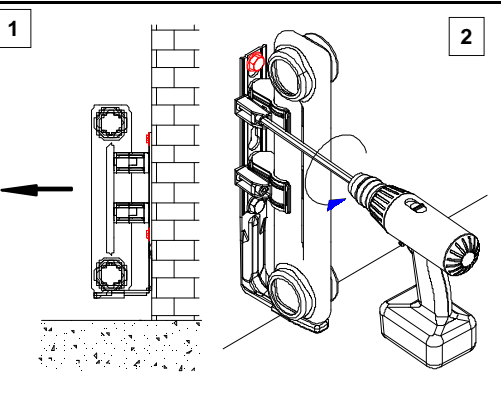
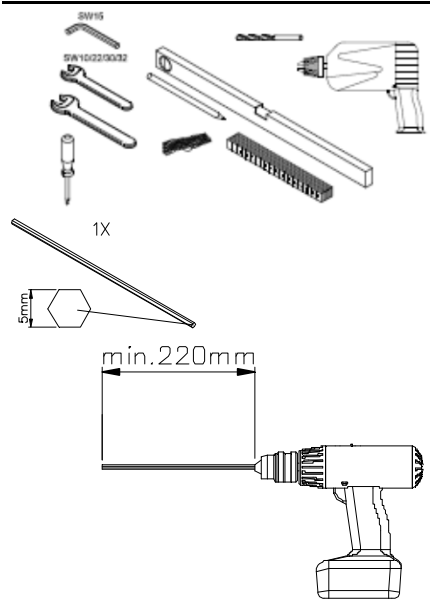
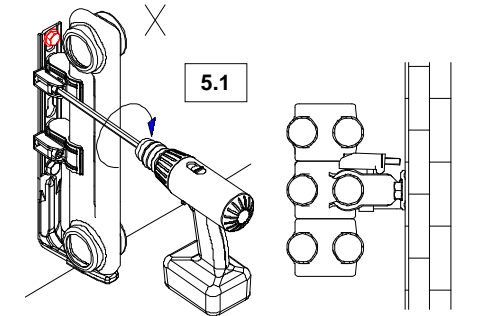
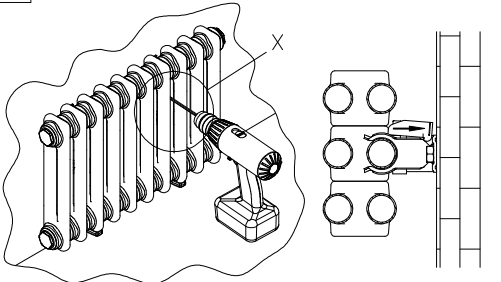
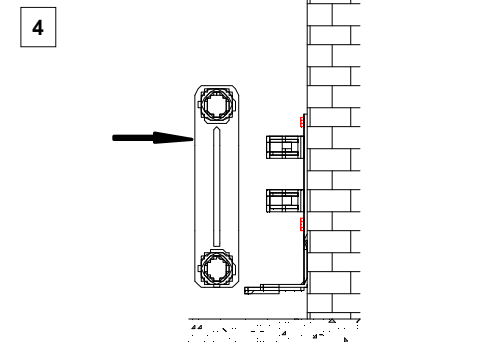
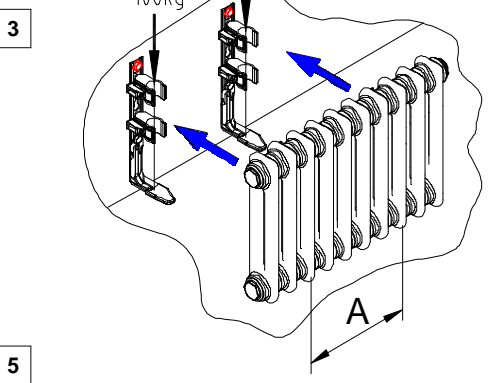
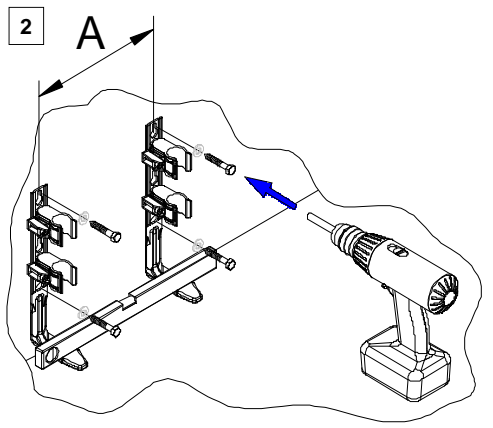
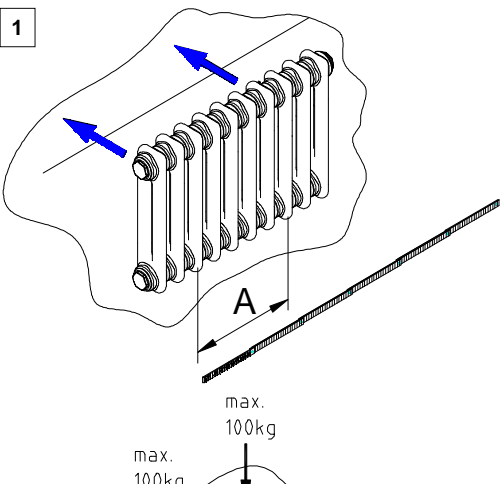
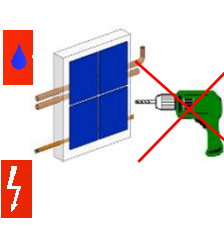
# Charleston SMB

- DE Montageanleitung
- GB Assembly Instructions
- FR Instructions de montage
- IT Istruzione di montaggio
- ES Instrucciones de montaje
- RU Монтажная инструкция (электрическая модель)

Original mounting instruction 01/2011 Production Lahr  
 Technische Änderungen vorbehalten  
 Technical modifications are subject to change

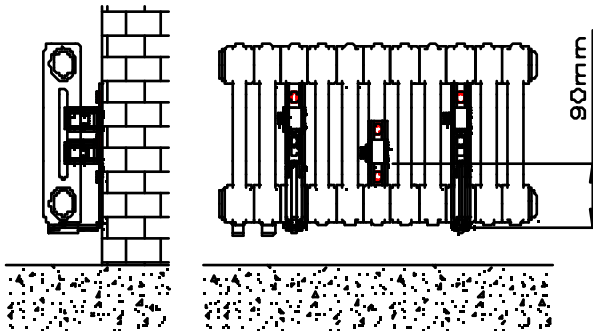


**Oberfläche schützen!**  
**Protect surface!**  
**Protégez la surface!**  
**Proteggi superficie!**  
**¡Proteja la superficie!**  
**Берегите поверхность**

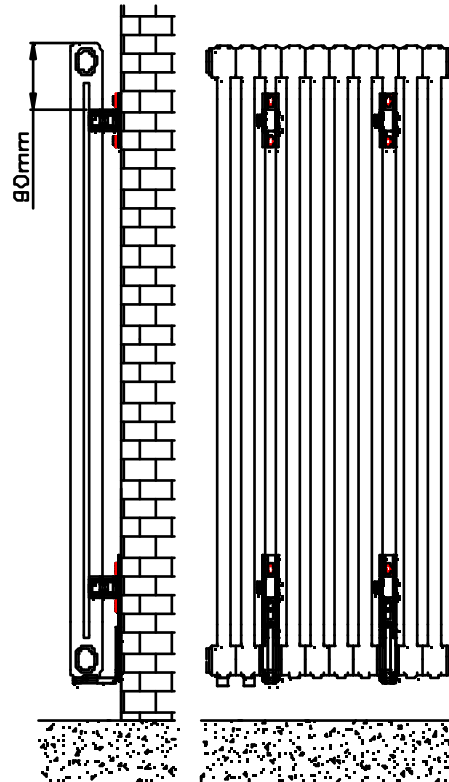


H mm	245-299	300-363	370-484	485-619	610-1000	1001-1500	1501-2200	2201-3000		
	SMB2T	SMB30	SMB40	SMB50	SMB75	SMB2T	SMB2T	SMB2T		
	max. 100kg	max. 100kg	max. 100kg	max. 100kg	max. 100kg	max. 100kg	max. 100kg	max. 100kg		
Model										
2xSMB	4-22 EL.	4-22 EL.	4-22 EL.	4-22 EL.	4-22 EL.	4-10 EL.	4-11 EL.	4-10 EL.	4-11 EL.	4-11 EL.
3xSMB	23-39 EL.	23-39 EL.	23-39 EL.	23-39 EL.	16-29 EL.	16-30 EL.	11-20 EL.	12-21 EL.	11-16 EL.	9-15 EL.
4xSMB	41-50 EL.	41-50 EL.	41-50 EL.	41-50 EL.	31-42 EL.	31-43 EL.	21-30 EL.	22-31 EL.	11-21 EL.	16-22 EL.
5xSMB	51-64 EL.	51-64 EL.	51-64 EL.	51-64 EL.	43-55 EL.	46-64 EL.	31-40 EL.	32-41 EL.	22-27 EL.	—
Model										
2xSMB	4-16 EL.	4-16 EL.	4-14 EL.	4-14 EL.	4-14 EL.	4-10 EL.	4-11 EL.	4-8 EL.	4-8 EL.	4-11 EL.
3xSMB	17-27 EL.	17-27 EL.	15-27 EL.	15-27 EL.	15-27 EL.	11-21 EL.	12-21 EL.	9-15 EL.	9-15 EL.	9-11 EL.
4xSMB	28-40 EL.	28-40 EL.	28-40 EL.	28-40 EL.	28-40 EL.	21-30 EL.	22-31 EL.	16-22 EL.	16-22 EL.	12-14 EL.
5xSMB	41-55 EL.	41-55 EL.	41-55 EL.	41-55 EL.	41-55 EL.	—	—	—	—	—

SMB2T H=245-299mm



SMB2T H=1001-3000mm



SMB30/40/50/75

